



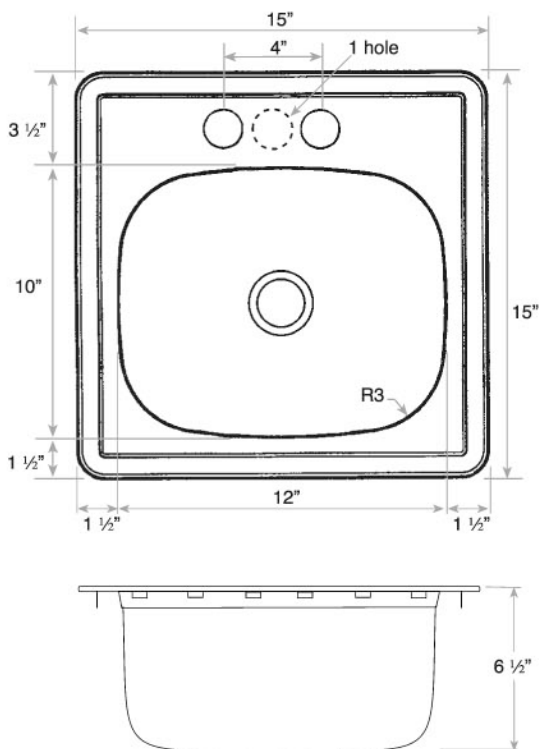
3050 Campus Drive, Ste 500
 Hatfield, PA 19440
 Customer Service 1.800.637.6485

- **18-8 Stainless Steel**
- **Sound Deadening Pad**
- **Integrated Installation Rails**
 With pre-attached clips
- **Limited Lifetime Buyer Warranty**



Fits 18" Cabinet. Accepts 2" drain fitting.

Model #	Faucet Holes	Finish Deck/Bowl	Bowl Size ↕ X ↔	Sink Depth	Overall Dimension	Gauge	Cutout Dimension
BSK651BX	1	Silk	10" x 12"	6 1/2"	15" x 15"	21	14 1/4" x 14 1/4"
BSK652BX	2						1" Radius



JOB NAME: _____

DATE: _____

CUSTOMER: _____

MODEL SPECIFIED: _____

QUANTITY: _____

ARCHITECT/ENGINEER: _____

CONTRACTOR: _____